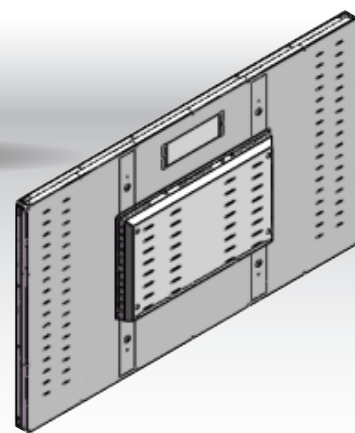
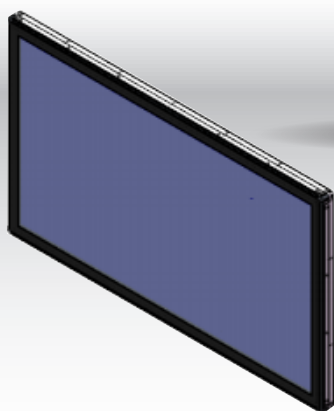


FM-150

15 inch
Embedded Capacitive
Touch Screen Display



FMT-150

- 15 Inch touch screen
- Full HD display
- 50,000 Hours LED Backlight
- Touch screen maximum touch > 50 Million Touches
- Industrial grade capacitive touch
- Dedicated to cabinet assembly

Feature & Specification



Moisture Proof



Water Proof



Dust Proof



Anti Crack

Main Feature

- Industrial grade capacitive touch screen
- Multi-Point capacitive touch
- Anti glare can use outdoor
- Dust and water proof
- Driver free ready to install
- Support multiple operating system
- Support USB and RS232
- Industrial ESD

Rich Installation Method

- Compact structure design
- Potrait and Landscape position
- VESA standard installation

Full HD Chimei / BOE LCD Module

- High brightness
- High Contrast
- Multi comor support
- FULL HD
- 30,000 Hours LED Backlight
- Maximum touch > 50 Million Touches
- Fast response
- Wide viewing angle
- Multi signal input channels LVDS Interface

Scope of application

- Vending Machine
- Self-service terminal & Kiosk
- Interactive digital signage
- Gaming Machine
- Industrial automation application



For mini or small kiosk

FMT Corporation Co.,Ltd.

Leading Business Automatic Machine
49/293 Soi Vibhavadi-Rangsit 64 Yeak 13,
Talat Bangkhen, Lak Si,
Bangkok 10210
02-5217155-59
086-6889050
fmt_sales@hotmail.com



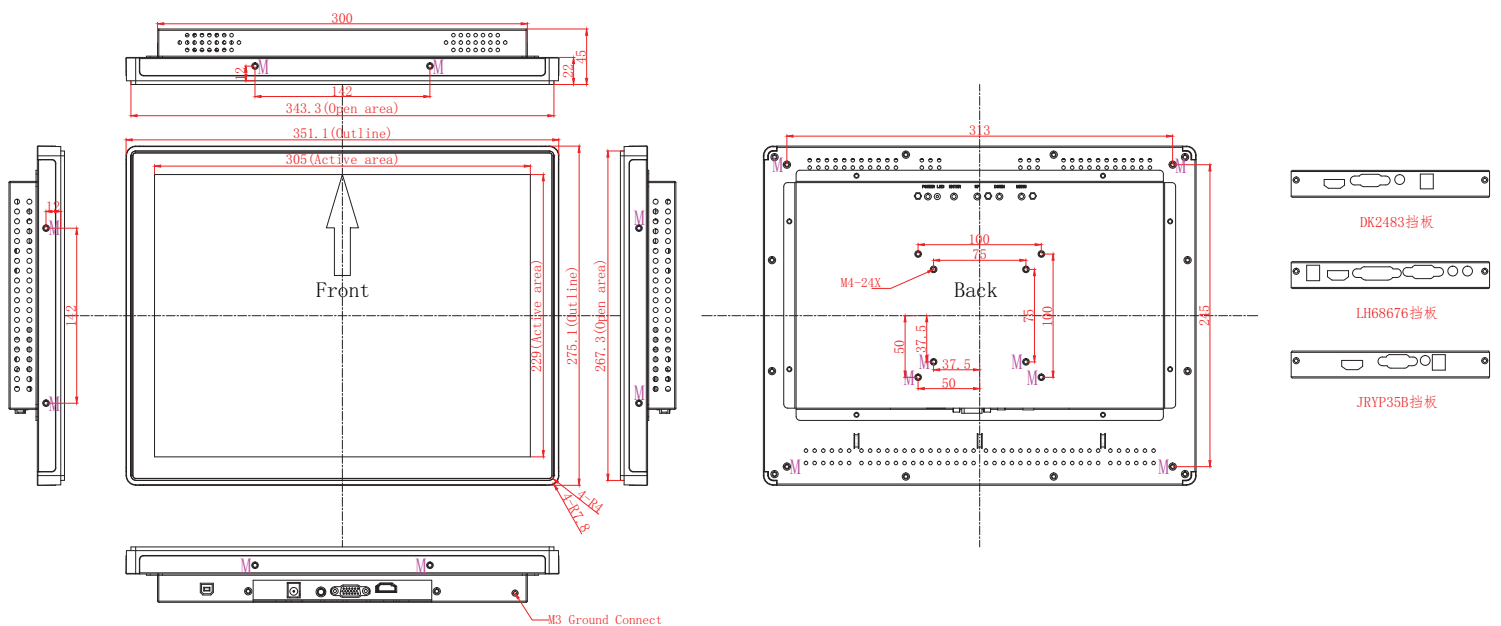
FM-150

15 inch Embedded Capacitive Touch Screen Display



Size	15 Inch	
Product Series	Embedded capacitive touch screen display	
Shell Material	Electrolysis metal plate	
Display Type	Active Matrix TFT-LCD , LED Backlight	
LCD screen brand	AUO / BOE / LG	
Resolution	1024 x 768 pixels	
Color Support	16.7 M	
Brightness	LCD Panel	300 cd/m ² [LCD Brightness can be specified by order.]v
	After Install Touch Panel	250 cd/m ²
View angle	Horizontal	89°
	Vertical	89°
LCD Display Ratio	4 : 3	
Contrast	1,600 : 1	
Response Time	5 ms.	
Power	Adaptor DC 12V 5A , Input 220VAC 50Hz.	
Video Input Format	HDMI , VGA	
View angle	Operating Temp.	0 - 60 °C
	Storage Temp.	-20 - 60 °C
	Working Humidity	10% - 90%
	Storage Humidity	10% - 90%
Mean time between failures (MTBF)	30,000 Hrs.	
LED Backlight Life	30,000 Hrs.	
Power Consumption	25 Watt (Max)	
Touch Screen Type	15 Inch Multi-Point projected capacitive touch screen (2.5 mm. Touch Screen Tempered Glass)	
Touch Screen Interface	USB 2.0 (RS232 port is an optional)	
Touch Screen Lifetime	Touch screen maximum lifetime and working life can be more than 50 million touches	
Support Operating System	Windows XP / 7 / 8 / 10 , Android , Mac-OS , Linux	
Warranty	12 Months	

Remarks : The relevant parameters of the LCD screen display are adjusted according to the selected LCD screen brand and model.



FMT Corporation Co.,Ltd.

Leading Business Automatic Machine
49/293 Soi Vibhavadi-Rangsit 64 Yeak 13,
Talat Bangkhen, Lak Si,
Bangkok 10210
02-5217155-59
086-6889050
fmt_sales@hotmail.com

